

FAG

## 3203-BD-XL-TVH

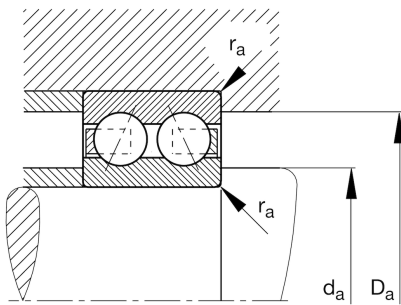
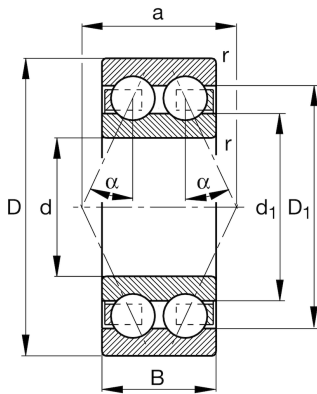
Angular contact ball bearing

Schaeffler ID:  
0637149490000

Angular contact ball bearing 32..-BD-XL-TVH, double row, X-life, plastic cage

X-life

## Technical information



## Main Dimensions &amp; Performance Data

d	17 mm	Bore diameter
D	40 mm	Outside diameter
B	17.5 mm	Width
$C_r$	15,500 N	Basic dynamic load rating, radial
$C_{0r}$	9,500 N	Basic static load rating, radial
$C_{ur}$	660 N	Fatigue load limit, radial
$n_G$	19,400 1/min	Limiting speed
$n_{gr}$	16,600 1/min	Reference speed
	0.091 kg	Weight

## Mounting dimensions

$d_{a \min}$	21.2 mm	Minimum diameter shaft shoulder
$D_{a \max}$	35.8 mm	Maximum diameter of housing shoulder
$r_{a \max}$	0.6 mm	Maximum fillet radius

## Dimensions

$r_{\min}$	0.6 mm	Minimum chamfer dimension
$D_1$	33.9 mm	Shoulder diameter outer ring
$d_1$	25.8 mm	Shoulder diameter inner ring
a	23.5 mm	Distance between the apexes of the pressure cones
$\alpha$	30 °	Contact angle

## Temperature range

$T_{\min}$	-30 °C	Operating temperature min.
$T_{\max}$	120 °C	Operating temperature max.